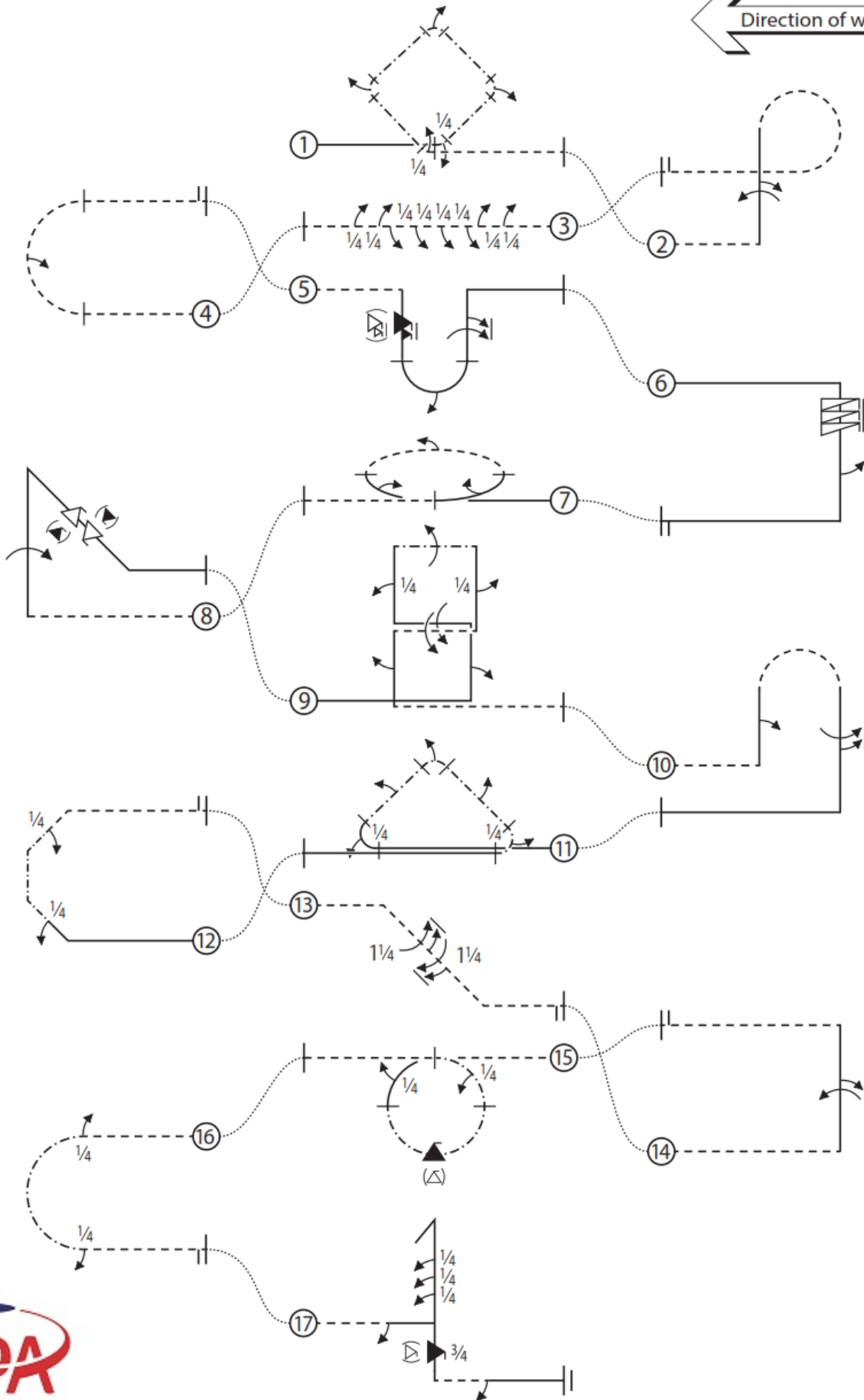
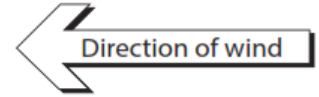


# FINAL SCHEDULE F-25 (2024-2025)



# FINAL SCHEDULE F-25 (2024-2025)

